

Designers:

Fiyin Adewale

Nate Begeman

Default tolerances:

R = 5%

C = 10%

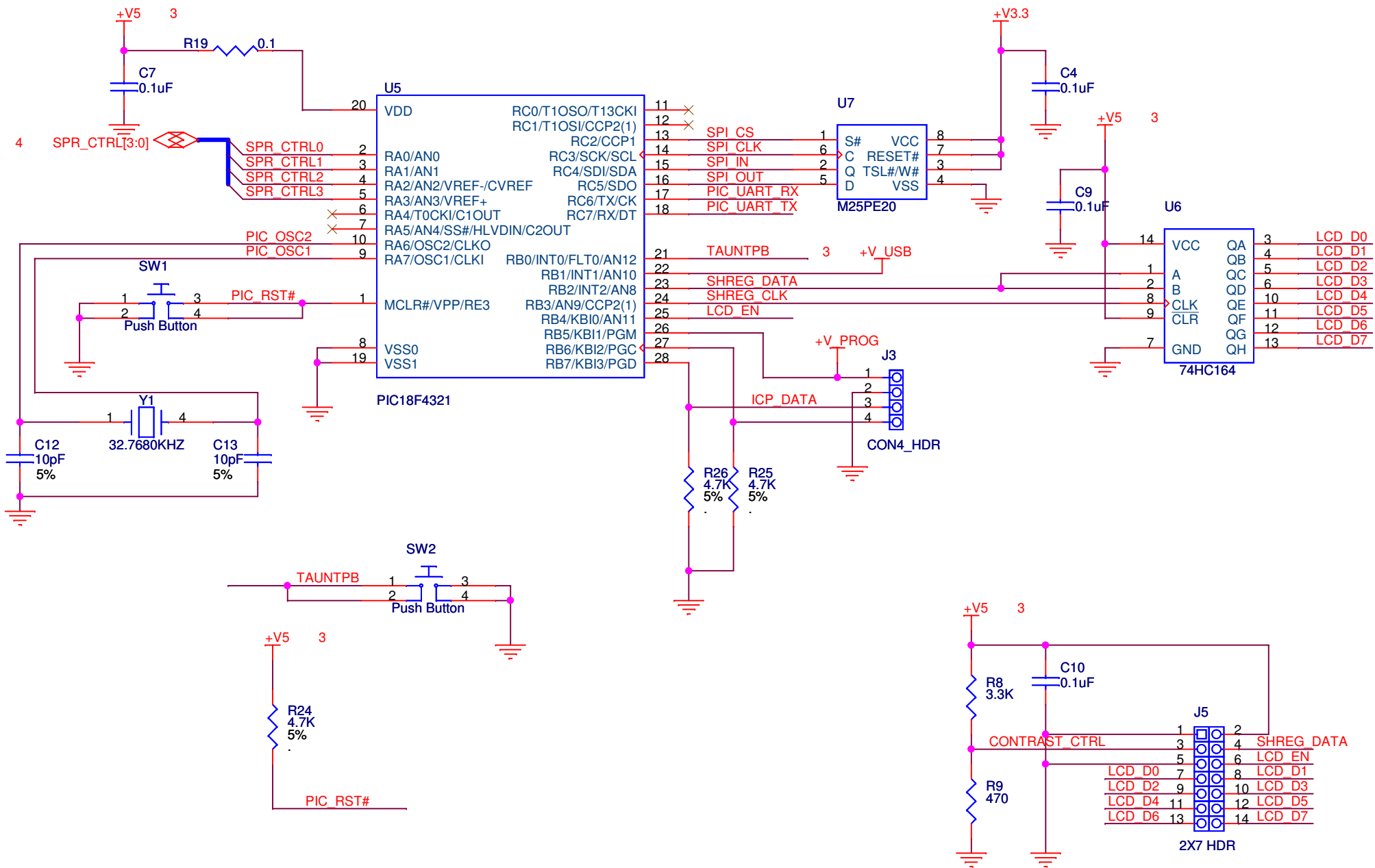
L = 20%

Misc:

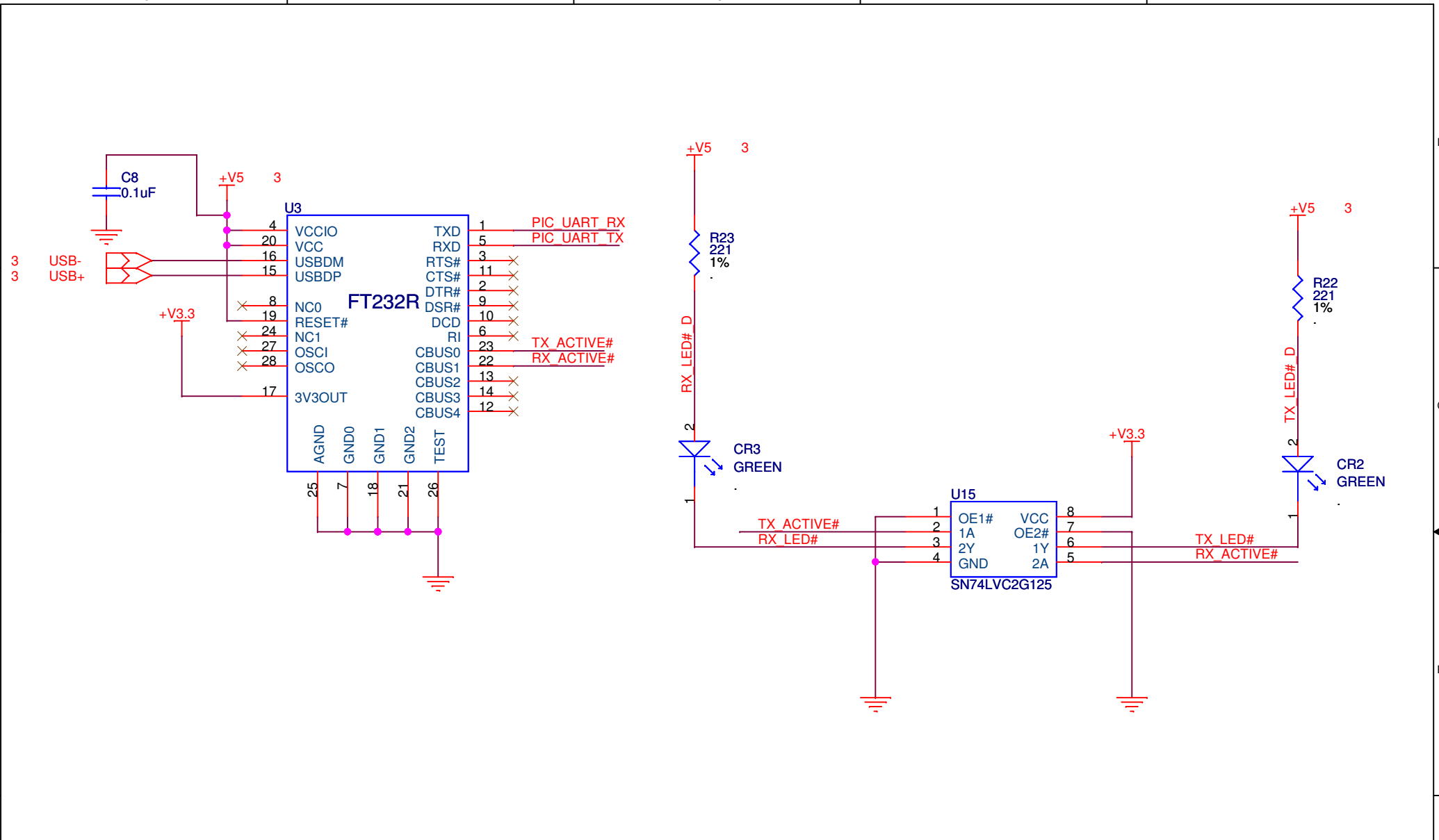
All components were spec'd for cost.

Tight tolerances, where shown, are not required

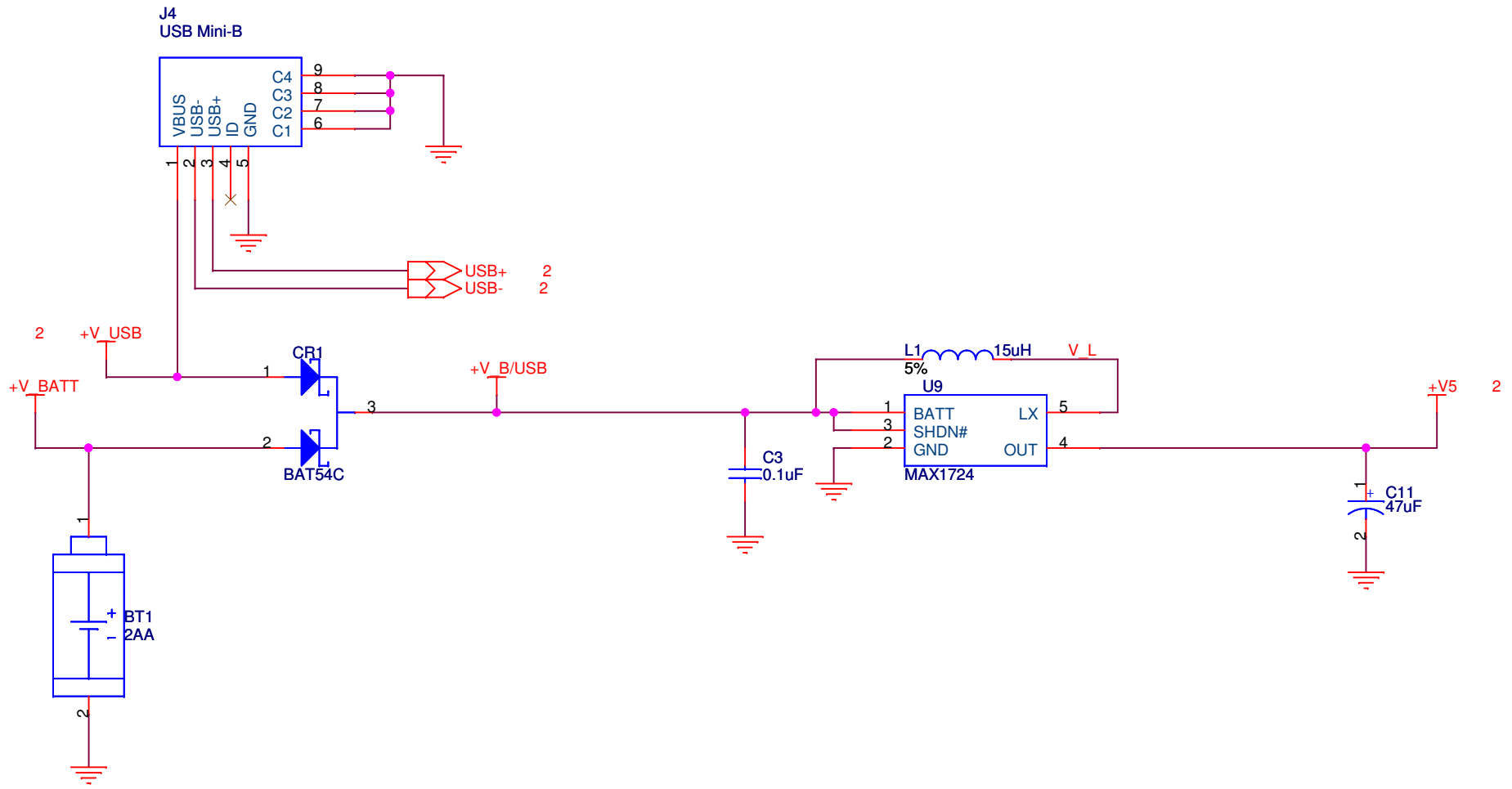
Title		
Title		
Size	Document Number	Rev
A	<Doc>	0.9
Date:	Thursday, October 11, 2007	Sheet 1 of 4



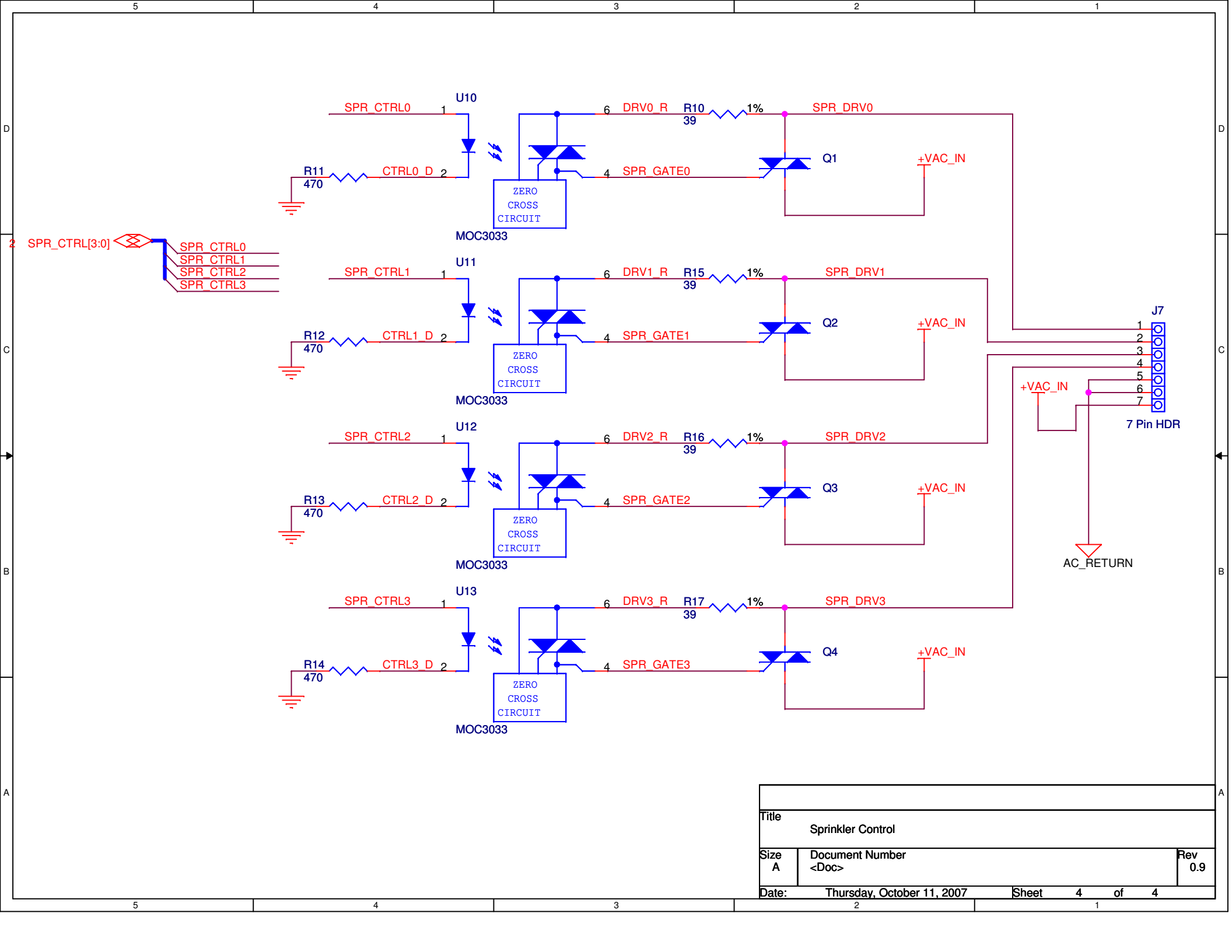
Title		
CPU, UART, LCD, and Flash		
Size	Document Number	Rev
A	<Doc>	0.9
Date:	Thursday, October 11, 2007	Sheet 2 of 4



Title		
CPU, UART, LCD, and Flash		
Size	Document Number	Rev
A	<Doc>	0.9
Date:	Thursday, October 11, 2007	Sheet 2 of 4



Title		
Power and VR		
Size	Document Number	Rev
A	<Doc>	0.9
Date:	Thursday, October 11, 2007	Sheet 3 of 4



Title		
Sprinkler Control		
Size	Document Number	Rev
A	<Doc>	0.9
Date:	Thursday, October 11, 2007	Sheet 4 of 4